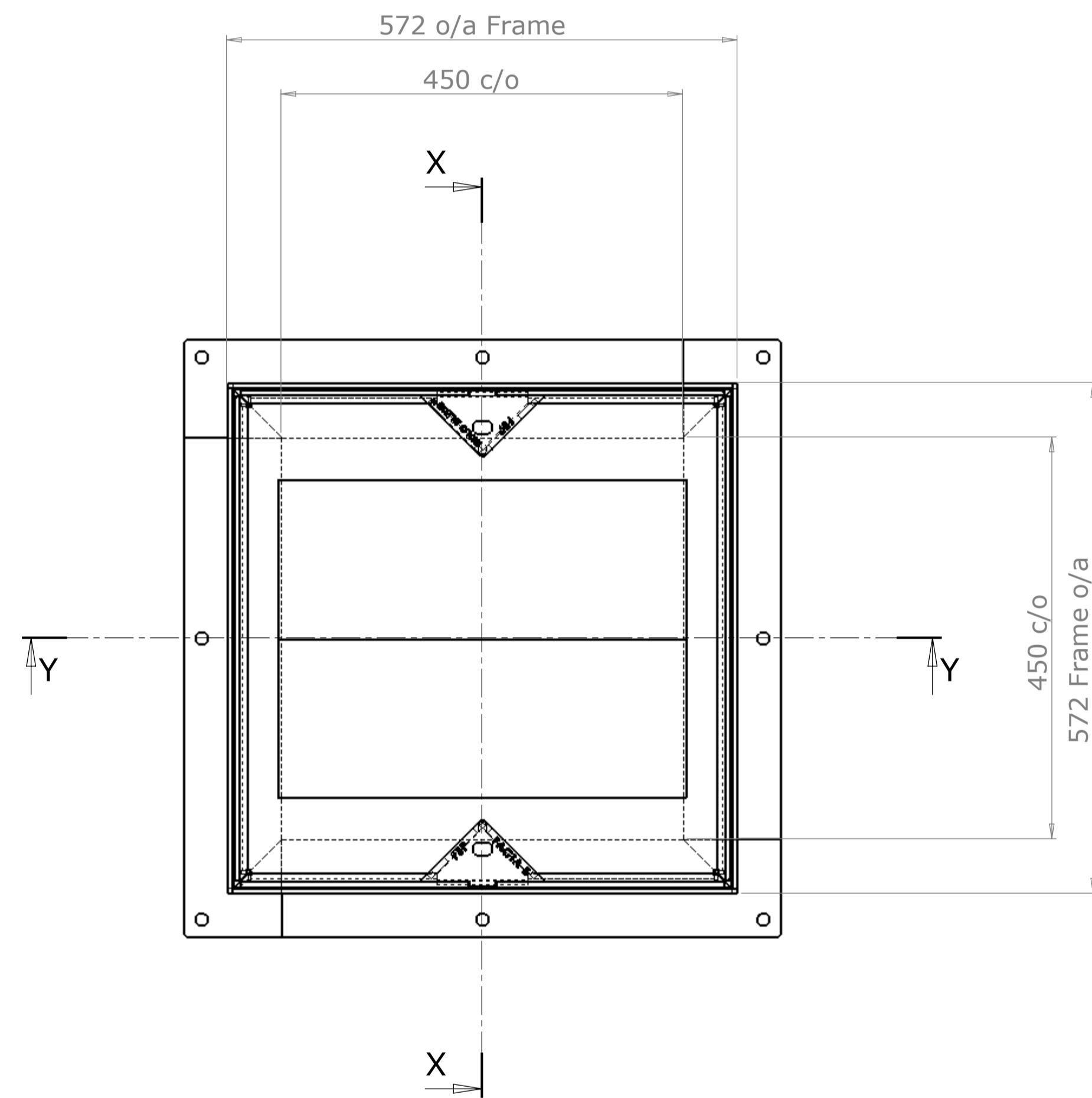
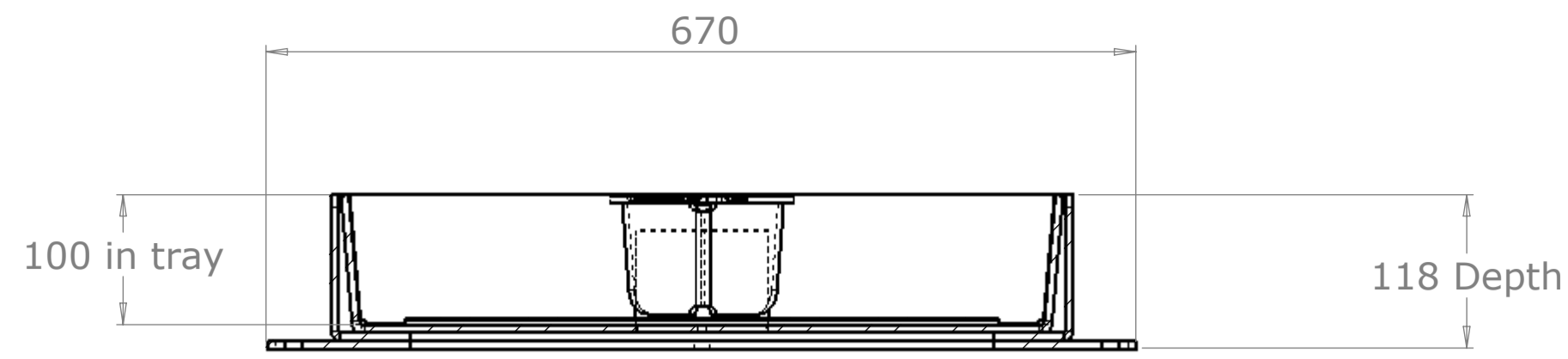
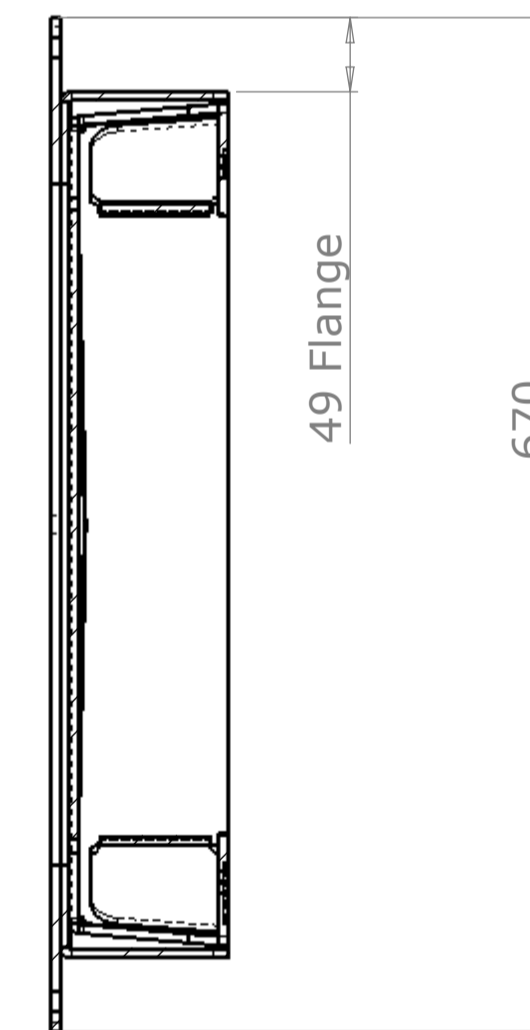


SECTION Y-Y



SECTION X-X



DRAWING NOTES:

Manufacturing Tolerances		
No	Type	Value
1	Length	+/- 2 mm
2	Width	+/- 2 mm
3	Depth	+/- 1 mm
5	Seating faces	<= 2 mm
6	Squareness	<= 3 mm
7	Surface flatness	<= 3 mm

REV:      ALTERATIONS MADE:      DRAWN:      APP'D:      DATE:

ALL DIMENSIONS IN MILIMETERS - DO NOT SCALE



**Fabweld Steel Products Ltd**

*Value and service for our customers through our people*

Fabweld Steel Products Ltd      Tel: 01952 581430  
 Units D11-D13 Court 2000      Fax: 01952 586141  
 Madeley, Telford, TF7 4JB      www.manholes.co.uk

PART CODE: **FPC0001338**

PART DESCRIPTION:  
 450x450mm c/o FAB PAVE S50/SOLO  
 SLIDE™/Galvanised Mild Steel/1 Part/FACTA B/6mm  
 Thick Material/100mm in tray/mesh in base/Slide Out  
 Cover with 2 lifting bosses/Fully Flanged

DRAWN BY:	JG	REVISION:	<b>0</b>
APPROVAL REQUIRED:	No		
APPROVED BY:	N/A		
DATE:	09/02/2015		