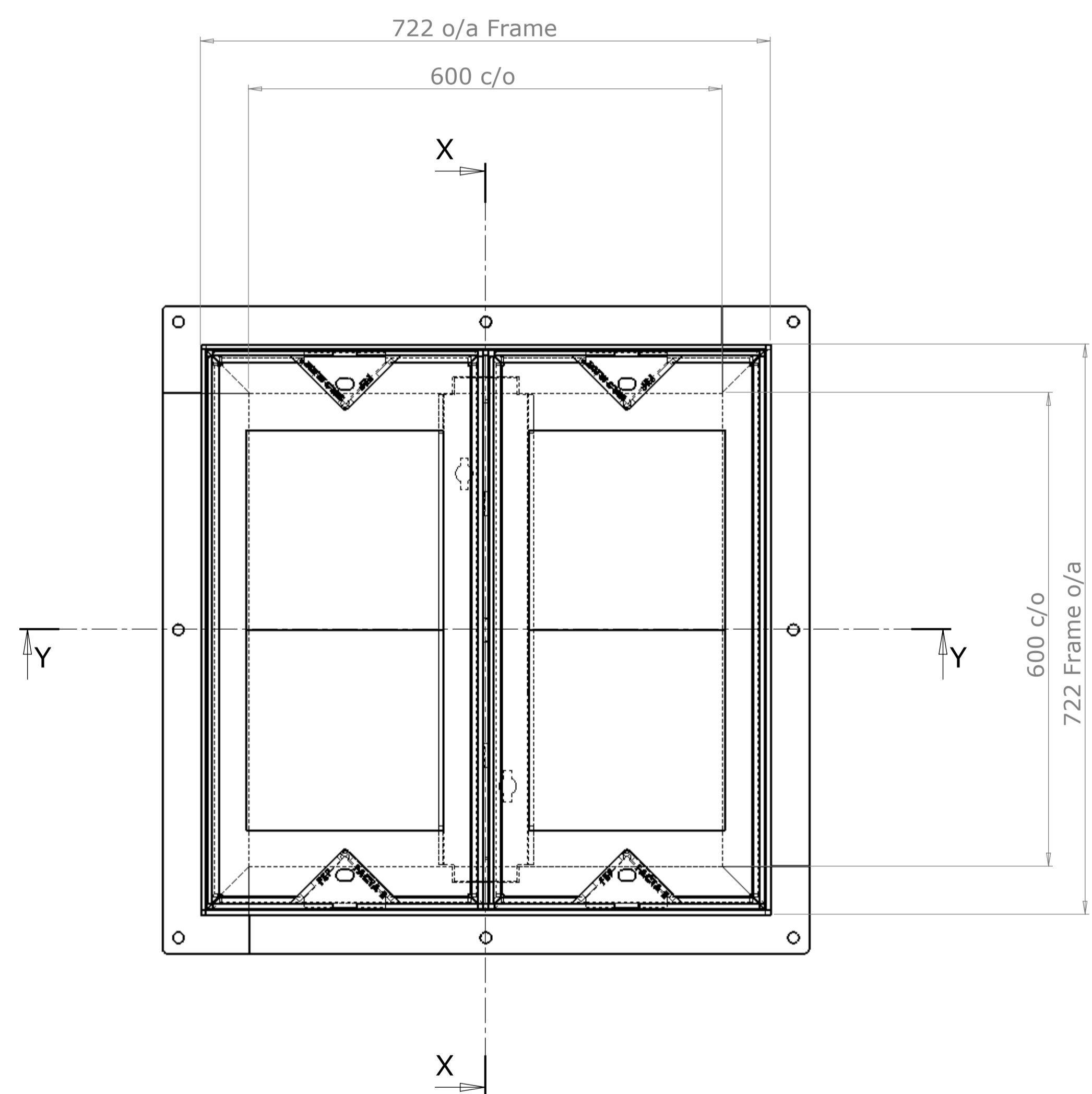
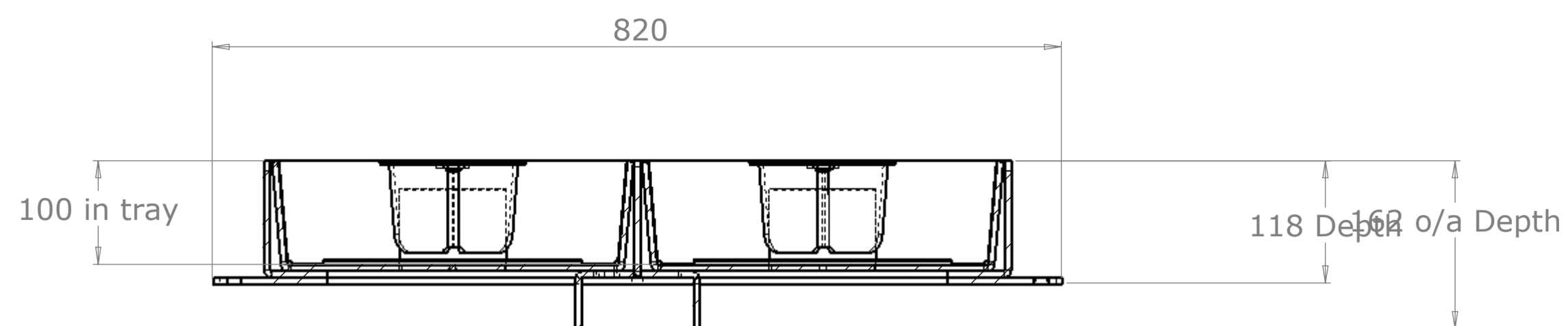
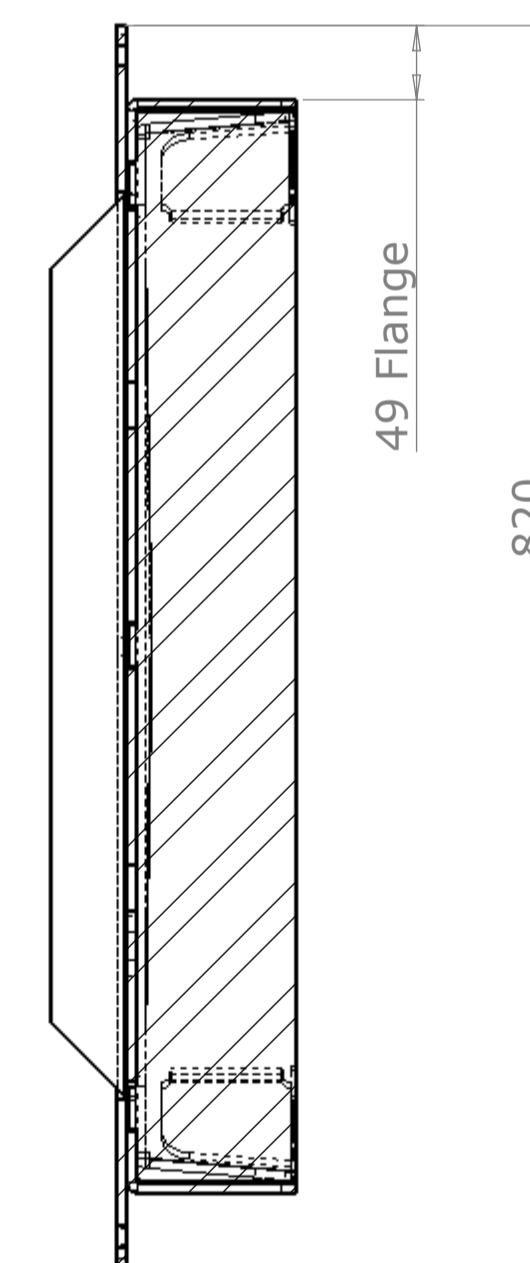


SECTION Y-Y



SECTION X-X



DRAWING NOTES:

REV:	ALTERATIONS MADE:	DRAWN:	APP'D:	DATE:

ALL DIMENSIONS IN MILLIMETERS - DO NOT SCALE



**Fabweld Steel Products Ltd**

Value and service for our customers through our people

Fabweld Steel Products Ltd Tel: 01952 581430  
 Units D11-D13 Court 2000 Fax: 01952 586141  
 Madeley, Telford, TF7 4JB www.manholes.co.uk

PART CODE: **FPC0001339**

PART DESCRIPTION:  
 600x600mm c/o FAB PAVE S50/SOLO  
 SLIDE™/Galvanised Mild Steel/2 Part/FACTA B/6mm  
 Thick Material/100mm in tray/mesh in base/Slide Out  
 Cover with 2 lifting bosses/1 Trimmer Bar/Fully

DRAWN BY:	CJ	REVISION:	<b>0</b>
APPROVAL REQUIRED:	No		
APPROVED BY:	N/A		
DATE:	22/11/2013		