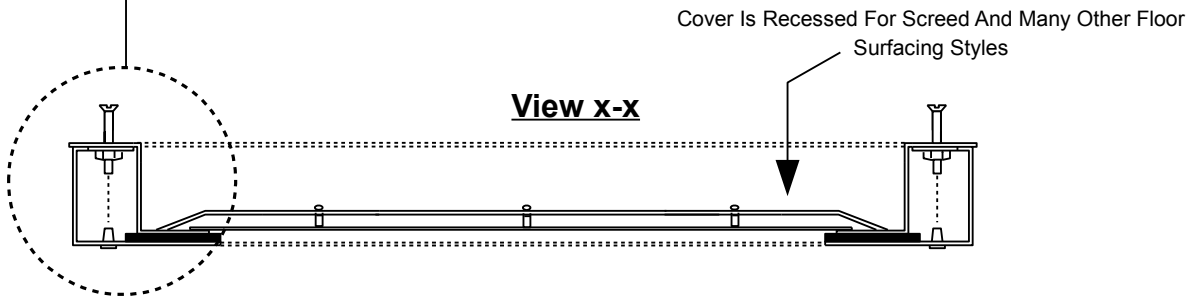
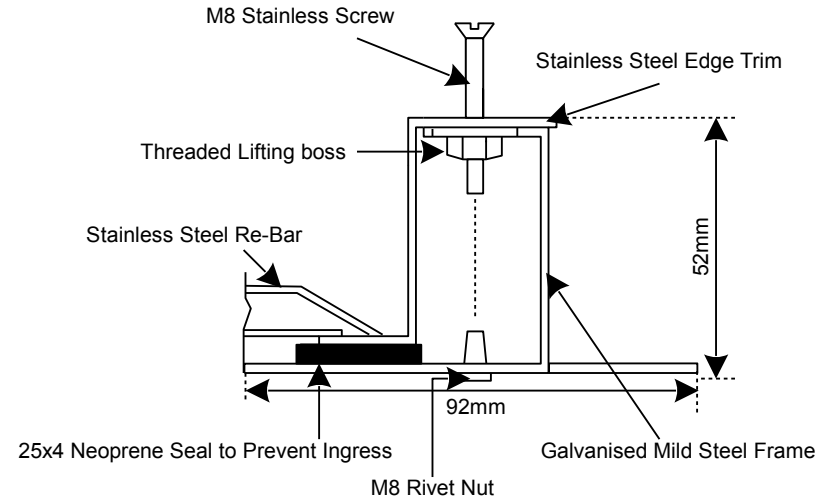
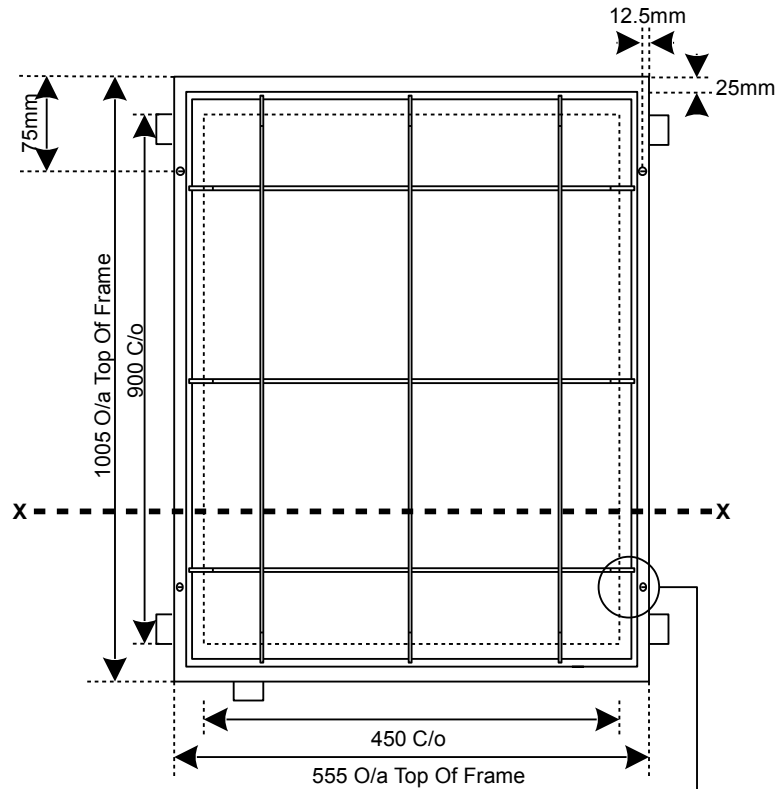


900x450mm c/o Recessed Tray/Galvanised Mild Steel/Stainless Steel Edged/Neoprene Sealed/4 Locking Screws



TYPE: Stainless Steel Edge Recessed Tray

DATE: 23/10/06

DRAWN BY: C.W

Fabweld Steel Products Ltd
 Unit D11 - D13 Court 2000,
 Madeley, Telford
 Shropshire (01952) 581430 Fax (01952) 586141
 www.manholes.co.uk



SPECIFICATION SHEET

Issue No.	Sheet No.
1	RET00728

ALL DIMENSIONS IN MILLIMETRES
 DRAWING NOT TO SCALE IF IN
 DOUBT CHECK

Certificate No: 1678/98