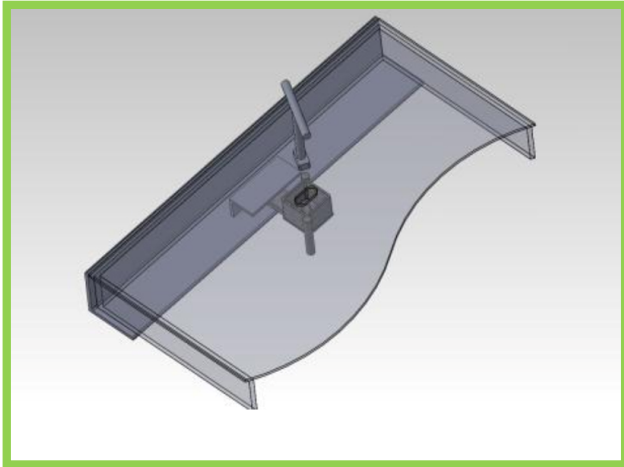
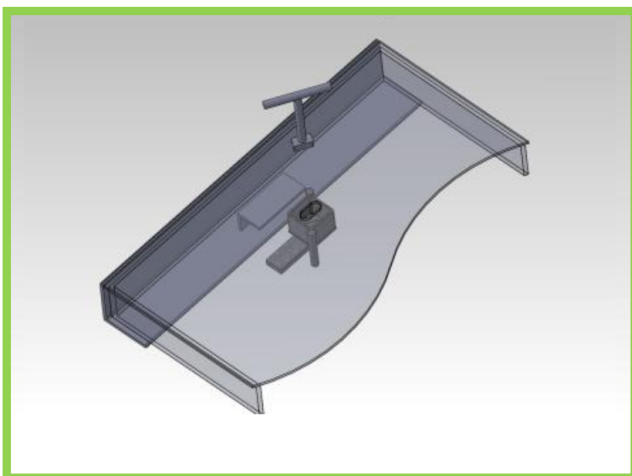
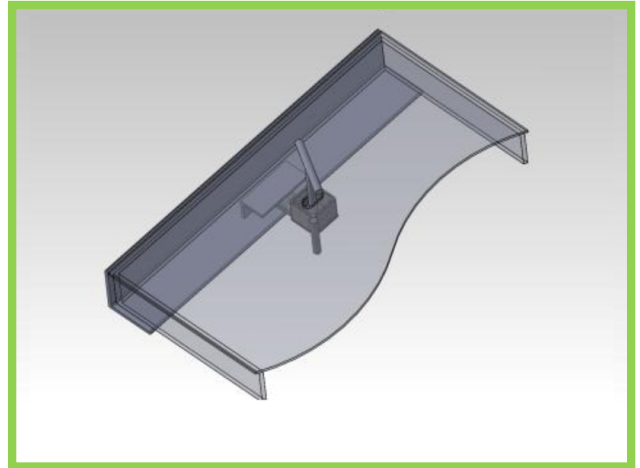


Turnbuckle Locking Operating Procedure



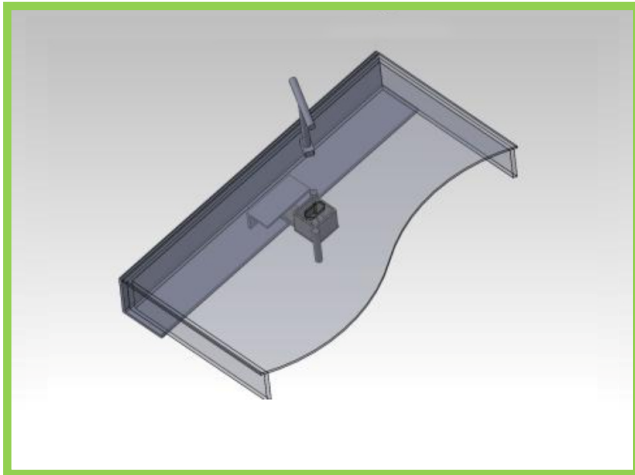
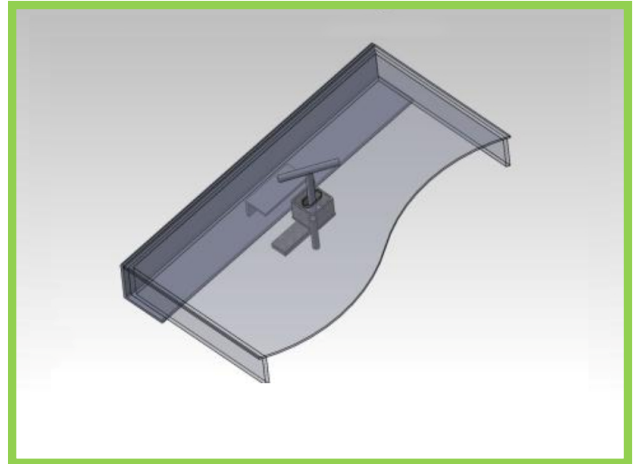
STEP 1 – Firstly ensure that you have the turnbuckle lock and lift key (COM0000741). Insert the supplied key in through the 38x18mm lifting slot in the top face of the cover and ensure it locates over the top of the turnbuckle bolt.

STEP 2 – When the key is correctly located on to the turnbuckle bolt begin to undo the mechanism by turning the key in an anti-clockwise direction while ensuring the key is kept under pressure to prevent the key slipping.



STEP 3 – When the key has been rotated a number of times the catch on the underside of the mechanism will become loose and move from underneath the locking catch located on the frame. The access cover can now be opened by turning the key 90° and pulling in an upward direction.

STEP 4 – To re-lock, the cover firstly has to be in a closed position. The key is then inserted through the 38x18mm slot in the cover and located over the turnbuckle bolt. When the key is correctly located on to the turnbuckle bolt begin to lock the mechanism by turning the key in a clockwise direction while ensuring the key is under pressure to prevent the key slipping



STEP 5 – When the key has been rotated a number of times the catch on the underside of the mechanism will become tight and move underneath the locking catch located on the frame. The access cover is now locked. Rotate the key so that it sits parallel with the slot and pull in an upward direction to remove key from the cover.